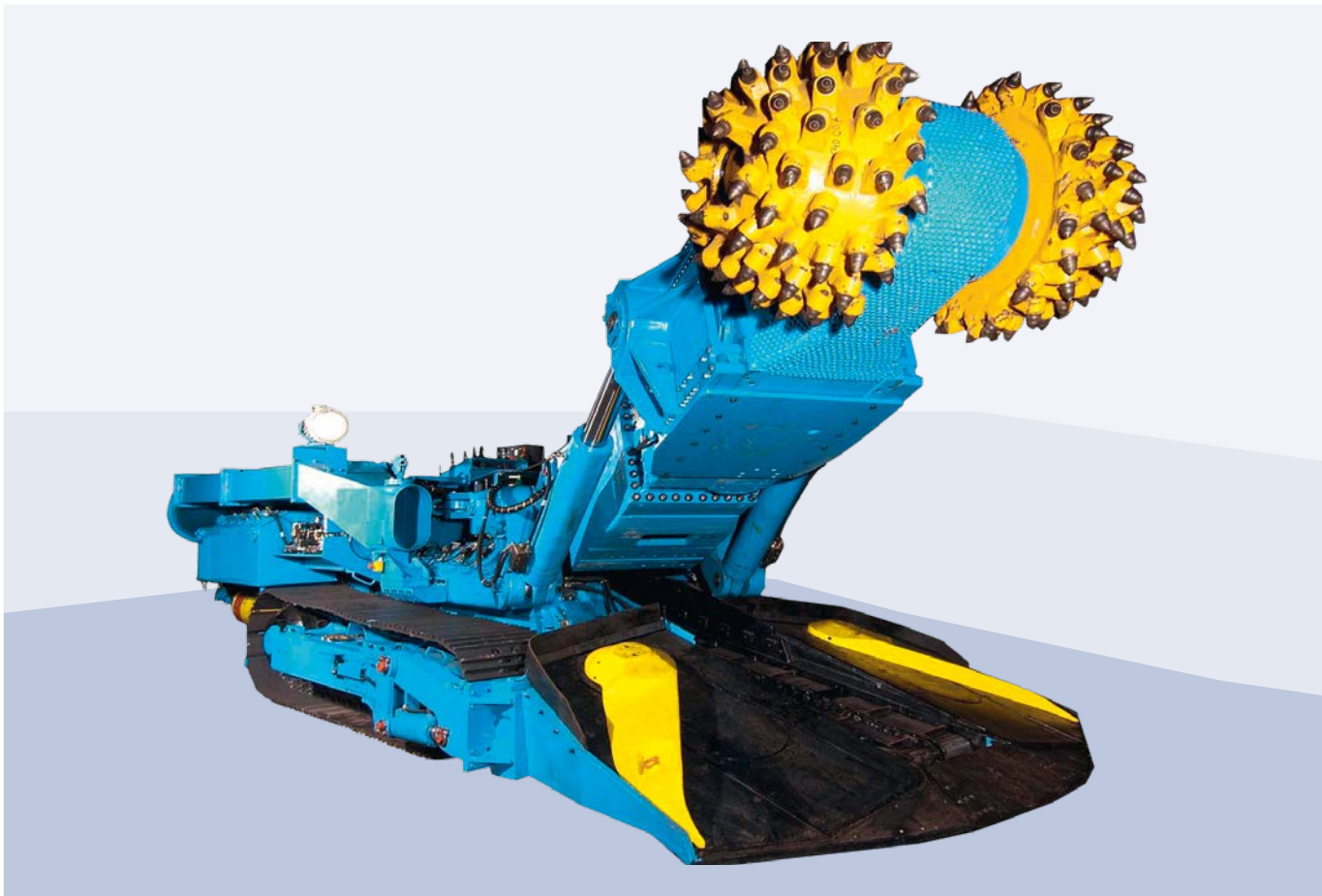


# ROADHEADER

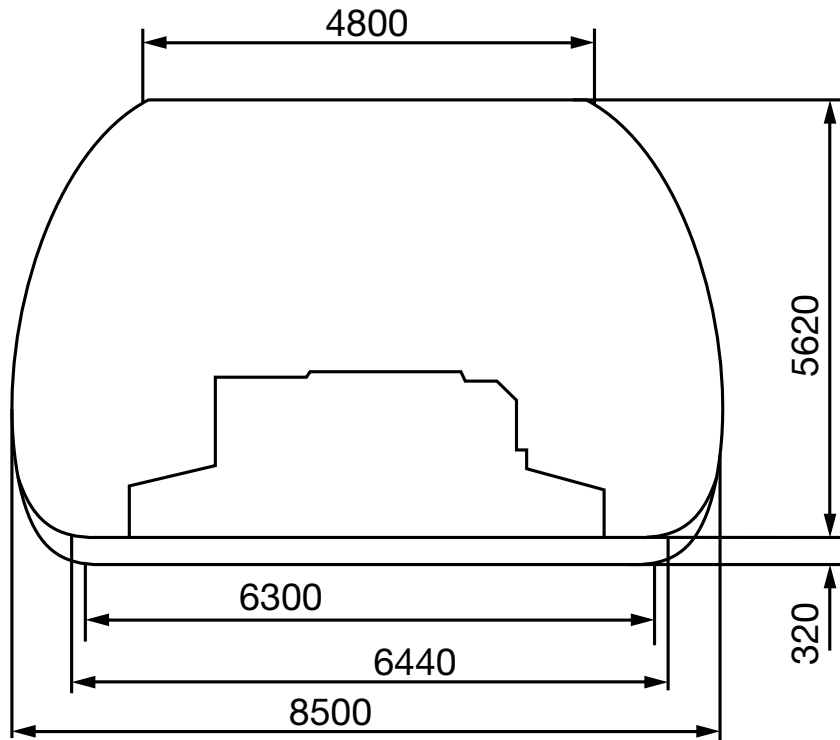
BRH 300/400



**QUALITY LEADS TO QUANTITY**

# TECHNICAL SPECIFICATIONS

BRH 300/400



## OUR PRODUCTS

### Roadheaders

BRH 130  
BRH 300/400  
BRH 178/300 N  
BRH 178/300 H

### Milling Loaders

BML B 110  
BML N 110  
BML 50

### First Tiller

BFT 110

## BBM MASCHINENFABRIK GMBH

Dieter-aus-dem-Siepen-Platz 1  
D-45468 Mülheim an der Ruhr  
Germany  
Telephone +4920845959-0  
Fax +4920845959-59  
E-Mail [info@operta-bbm.de](mailto:info@operta-bbm.de)  
Web [www.operta-bbm.de](http://www.operta-bbm.de)

# ROADHEADER

## BRH 300/400

### PRODUCTION AND EXCAVATION MACHINE

- Cutting power of 300 kW
- Tough helical gear box to take extreme loads
- Continuous operation to cut minerals and rock up to 110 Mpa compressive strength
- Outrigger stabilizers for optimal machine stability
- Cutting arm feed allows intrusion cutting without machine movement

### OPTIONAL EQUIPMENT

- Anchor drilling unit
- Cooling system for high ambient temperature
- Pivoting belt conveyor
- Support handling device
- Working platform on cutting arm
- Remote control (radio/cable)
- Cutting arm with water-air spray system
- Variable loading table extension
- Machine cover with integrated de-dusting channels
- ATEX layout

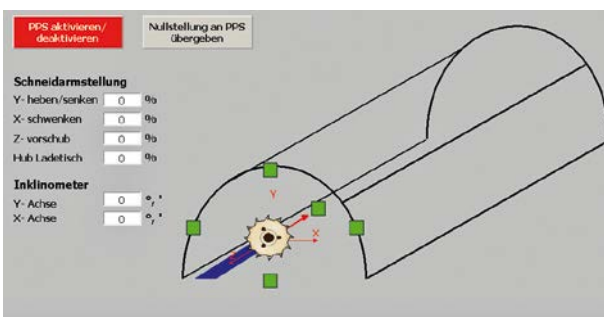
### FOR HIGHEST PROFILE ACCURACY

The BBM BRH 300/400 is a compact, highly productive roadheader in the 100 t class. It has a robust, low-wear loading system with loading bars and powerful cross cutting heads with a time-tested helical gearbox.

The armored conveyor is available with center or double side chains. Thanks to its variable design the machine can be operated in various mining and tunneling applications.



The profile-control system provides visual, automatic assistance in the operator's field of view. This significantly increases profile accuracy. The resulting efficiency improvement yields time and cost savings.



Remote control (radio/cable)



Control cabinet ATEX layout

### EFFICIENT SPRAY SYSTEM

The pneumatic spray nozzle of the PZ series uses the spraying principle of inside-mixing. Liquid and spray-air are separately fed into the mixing area in the nozzle's interior. This considerably reduces water consumption for spraying and dust suppression compared to other systems.



# ROADHEADER

## BRH 300/400

### Machine dimensions and operating range\*

Total weight	100 t
Total length	13,250 mm
Total height	2,020 mm
Conveyor height	1,800 mm
Width of loading table	4,000-6,200 mm
Crawler track width	700 mm
Conveyor speed	0.53 m/s
Cutting drum diameter	1,200 mm
Tank volume	1,100 l
Cutting arm feed	600 mm
Kneeling of loading table	320 mm
Lifting of loading table	440 mm

### Cutting head power

Cutting height	5,620 mm
Cutting width	8,500 mm
Undercut	3,200 mm
Cutting speed	3.5 m/s

### Machine operating range

Min. width of roadway	4,200 mm
Min. height of roadway	3,800 mm
Min. curve radius	6,000 mm
Ground pressure	17 N/cm <sup>2</sup>
Operating gradeability	20 gon
Min. dell radius	30,000 mm
Min. upfold radius	30,000 mm

\*All data are indicative.

### Electrical installation

Standard voltage	1,000 V / 50 Hz
Total installed power	482 kW
Cutting head power	300 kW

